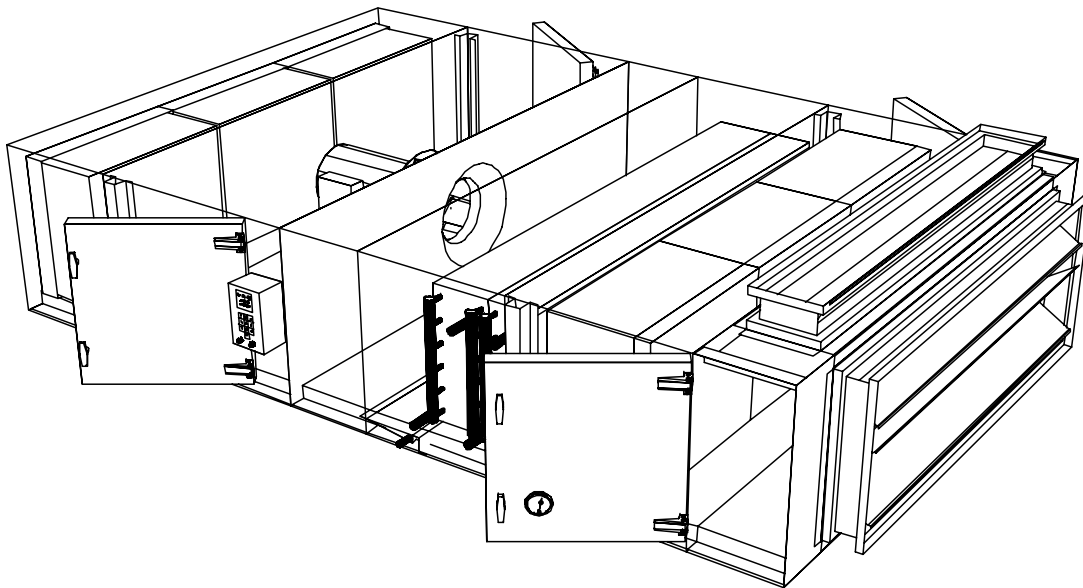


NOTE! READ AND SAVE THIS MANUAL — IMPORTANT SAFETY INSTRUCTIONS

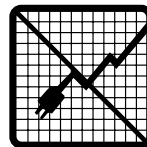
USE AND CARE INFORMATION FOR MODULAR AIR HANDLING UNITS

The following information includes sections on installation, start-up and regular maintenance.



For field support and installation assistance, or to obtain a printed copy of these instructions, please contact Customer Service at:

T 480-968-9550 F 480-968-9555
service@unitedmetal.com

**SAFETY**

Caution: DISCONNECT ALL ELECTRICAL POWER TO THE UNIT BEFORE ATTEMPTING TO INSTALL, OPEN, OR SERVICE YOUR UNIT. IF THE UNIT IS THERMOSTATICALLY CONTROLLED, THE THERMOSTAT IS NOT TO BE USED AS A DISCONNECT AS IT MAY RESET AND START THE UNIT UNEXPECTEDLY.

For future reference, record Model and Serial Numbers from your unit here (numbers are located on the outside of the unit):

Model No. _____

Serial No. _____

RECEIVING, SETTING IN PLACE AND START-UP PROCEDURE

RECEIVING

Inspect the complete unit for shipping damage. If damage is present, you have the right to either accept or reject the shipment. If the receiving contractor or the receiving agent for the contractor elects to receive the equipment in a damaged condition, it then becomes the contractor's responsibility to note the extent of the damage on the delivering freight bill of lading in the presence of the delivering agent (driver) of the delivering freight carrier in accordance with the ICC regulations. It also then becomes the responsibility of the receiving contractor to work with the delivering carrier to have the equipment repaired to the satisfaction of United Metal Products, Inc., so the warranty may remain valid. United Metal Products must also be notified of shipping damage immediately. Be sure to read the warranty for further information. United Metal Products will in no way be responsible for any unauthorized back charges due to events or circumstances out of their control which may cause shipping delays.

INSPECTION OF EQUIPMENT - VISUAL

The equipment type and arrangement should be verified as ordered at once when it arrives at the jobsite. When a discrepancy is found, the local United Metal Products Sales Representative must be notified immediately so that corrective action may be investigated. Also verify that electrical components are in conformance with specifications. Unauthorized alterations and unauthorized back charges will not be recognized by United Metal Products, Inc.

LONG-TERM STORAGE

If equipment is not set in its permanent position and is stored on the ground or other un-level area, proper provisions must be taken for supporting and protecting the equipment. Indoor units that are stored outside must be covered and protected from any ingress of moisture.

There is a time limit of one year from date of shipment that any unit may be kept in long-term storage. During this time, rotate the wheel by hand every two weeks to redistribute grease on internal bearing parts. At the end of the one year period, the unit must be in operation.

NOTE: Failure to perform the long-term storage requirements past 60 days from shipment and properly log these required procedures will void the warranty.

RIGGING INSTRUCTIONS

1. Avoid unnecessary jarring or rough handling.
2. Support the assembled MAHU along its entire length and lift from below.
3. Care must be taken to keep the unit in the upright position during rigging.
4. Only use trained professional riggers when moving equipment.
5. Before installation it is important to be certain the mounting surface will bear the operating weight of the unit.
6. For proper unit operation, it is also important that it be operated in a completely level position.

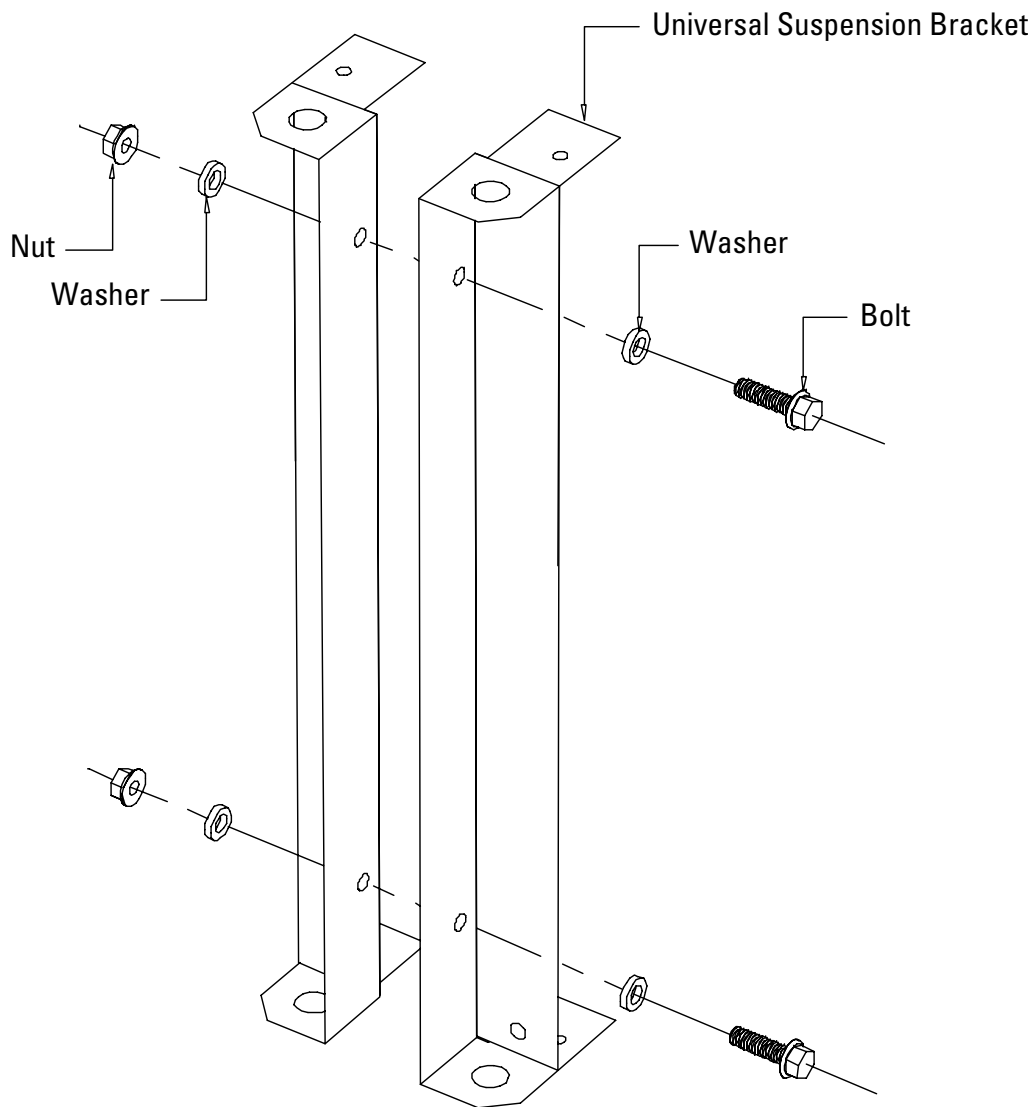
RIGGING

Proper handling of the equipment is mandatory during unloading and setting it into position.

It is mandatory that an experienced and reliable rigger be selected to handle unloading and final placement of the equipment. The rigger must be advised that the unit contains delicate components and that it be handled in an upright position. Care must be exercised to avoid twisting the structure.

NOTE: It is the responsibility of the installing contractor to mount the unit in accordance with local codes.

SPLITTING AND REASSEMBLY OF MODULE SECTIONS

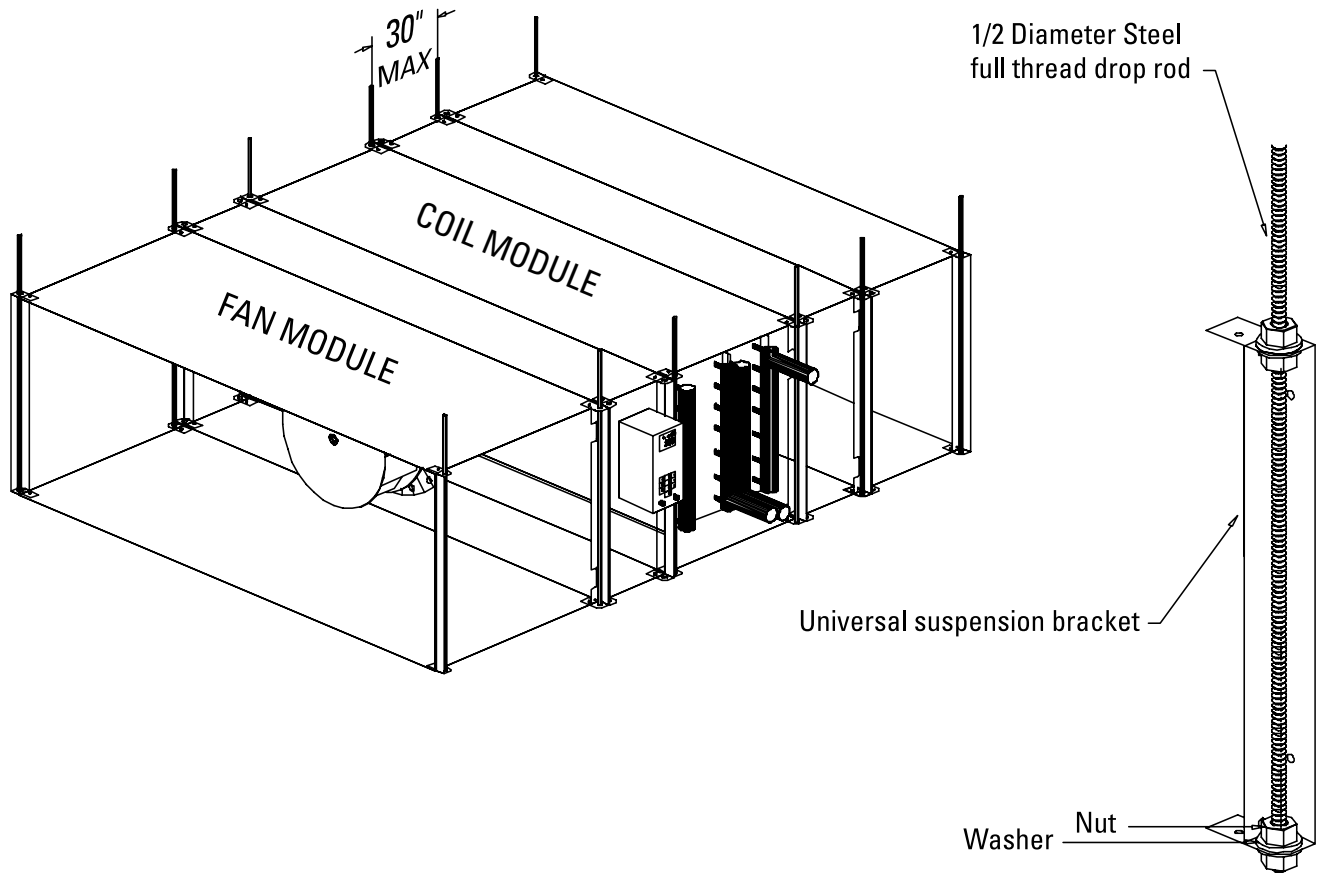


NOTES:

1. Individual modules may be split apart between any pair of Universal Suspension Brackets for inspection or manhandling of modules to final assembly point on site.
2. Remove the (4) bolts and nuts that are holding the modules together.
3. Carefully pull the modules apart, taking care to leave the closed cell tape between the modules in place.
4. When ready to re-assemble the modules together, check the closed cell tape for damage and replace as required.
5. Pull the modules together ensuring that the male flange from one module fits into the airway of the adjoining module.

6. Insert the (4) bolts and nuts through the Universal Suspension Brackets and continue pulling the modules together as the bolts are tightened. If old bolts show sign of wear, replace with new ones.
7. When two modules are joined together, the gap between the Universal Suspension Brackets should be the same at the top and bottom of the bracket. The gap should be between zero and 1/8". Bolts should be tight and that tape should be compressed along the entire seam.

SUSPENDING THE UNIT FROM ABOVE



NOTES:

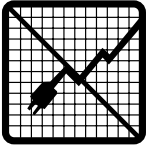
When suspending the unit, United Metal Products recommends using 1/2" diameter steel all-thread secured at both the top and bottom of the Universal Suspension Brackets provided. The Modular Air Handler **MUST** be suspended at all (4) corners of the fully assembled unit. It must also be suspended at all (4) corners of each fan module and all (4) corners of each coil module. With these drop rods in place, we recommend that additional drop rods are added (if required) so the maximum distance between the drop rods is 30" along the length of the unit. Additional support under the unit length may be added if required.

MOUNTING THE UNIT ON THE FLOOR

Use only the bottom holes of the Universal Suspension Brackets to bolt the unit to the floor. The Modular Air Handler **MUST** be bolted down at all (4) corners of the fully assembled unit. Additional bolt-down points may be used as required.

NOTE: These mounting instructions are for installation in non-seismic zones. It is the responsibility of the installing contractor to mount the unit in accordance with local codes.

INSTALLATION AND START-UP SAFETY



SAFETY

Caution: DISCONNECT ALL ELECTRICAL POWER TO THE UNIT BEFORE ATTEMPTING TO INSTALL, OPEN, OR SERVICE YOUR UNIT. IF THE UNIT IS THERMOSTATICALLY CONTROLLED, THE THERMOSTAT IS NOT TO BE USED AS A DISCONNECT AS IT MAY RESET AND START THE UNIT UNEXPECTEDLY.

Read and complete the checklist on the following page as part of this start-up procedure.

- Electrical wiring must be installed a safe distance away from any sharp or moving parts (blower wheels, pulleys, sheaves, belts, etc.).
- All guards and/or interlocks, mechanical or electrical, provided by manufacturer must always remain in place to provide needed protection against moving parts.
- Guards must be installed when fan or discharge is within personnel or within seven (7) feet of working level or when deemed advisable for safety.
- All safety devices, panels, and doors of the unit must be installed and remounted as previously mounted before start-up, servicing, or cleaning. **NOTE:** A key or 5/16" Allen key is needed for fan cabinet access.
- Remove shipping blocks.
- Check fan rotation and inlet cone alignment.
- Install filters.
- Check doors seal tight.
- Start up fan and set VFD to turn fan at design fan speed (see unit nameplate inside supply fan access door).
- Check for leaks and reseal cabinet seams as required.

IMPORTANT! There may be other start-up and safety information included with other components not addressed in this manual.

Please read and follow all start-up and maintenance information carefully.

See separate Start-up and Safety Information regarding:

- Actuators
- Coils
- Fans
- Filters

MAH PRE-START CHECKLIST

(Responsibility of Installing Contractor)

NOTE: Please complete & return fax to United Metal Products within 30 days of start-up for warranty validation. Fax: 480-968-9555

INSTALLER _____ COMPANY _____ DATE _____
MODEL NUMBER _____ SERIAL NUMBER _____ TAG NUMBER _____

Before connecting modules together check all internal components for damage.

- | | |
|--|--|
| <p>Y N NA</p> <p>1. <input type="checkbox"/> <input type="checkbox"/> <input type="checkbox"/> Modules are assembled in the correct order.</p> <p>2. <input type="checkbox"/> <input type="checkbox"/> <input type="checkbox"/> All universal mounting brackets are aligned, all bolts secure, all seams caulked.</p> <p>HANGING OR FLOOR MOUNTING*</p> <p>3. <input type="checkbox"/> <input type="checkbox"/> <input type="checkbox"/> All drop rods (or floor studs) aligned.</p> <p>4. <input type="checkbox"/> <input type="checkbox"/> <input type="checkbox"/> Unit is horizontal along unit length and width.</p> <p>5. <input type="checkbox"/> <input type="checkbox"/> <input type="checkbox"/> All bolts are secure.</p> <p>FAN MODULE</p> <p>6. <input type="checkbox"/> <input type="checkbox"/> <input type="checkbox"/> Check fan wheel is secured to the motor shaft.</p> <p>7. <input type="checkbox"/> <input type="checkbox"/> <input type="checkbox"/> Remove shipping blocks under motor base.</p> <p>8. <input type="checkbox"/> <input type="checkbox"/> <input type="checkbox"/> Adjust the vibration mount heights to achieve uniform clearance between the fan wheel and inlet cone. When spun, the fan should not touch the inlet cone.</p> <p>9. <input type="checkbox"/> <input type="checkbox"/> <input type="checkbox"/> Check that motor mounting bolts are tight.</p> <p>10. <input type="checkbox"/> <input type="checkbox"/> <input type="checkbox"/> Check that electrical connections and covers are tight.</p> <p>11. <input type="checkbox"/> <input type="checkbox"/> <input type="checkbox"/> Set the fan speed with the VFD when supplied. The operating fan speed is listed on the unit name plate located inside the supply fan module access door.</p> | <p>Y N NA</p> <p>12. <input type="checkbox"/> <input type="checkbox"/> <input type="checkbox"/> Check dampers freely rotate.</p> <p>13. <input type="checkbox"/> <input type="checkbox"/> <input type="checkbox"/> Where damper actuators are supplied, check that they are secure and set minimum and maximum rotation settings.</p> <p>FILTER MODULE</p> <p>14. <input type="checkbox"/> <input type="checkbox"/> <input type="checkbox"/> Check filters are installed correctly (airflow).</p> <p>COIL MODULE</p> <p>15. <input type="checkbox"/> <input type="checkbox"/> <input type="checkbox"/> Tighten all coil and drain connections and check for leaks.</p> <p>OPERATION</p> <p>16. <input type="checkbox"/> <input type="checkbox"/> <input type="checkbox"/> Amp draw.</p> <p>17. <input type="checkbox"/> <input type="checkbox"/> <input type="checkbox"/> Fan noise.</p> <p>18. <input type="checkbox"/> <input type="checkbox"/> <input type="checkbox"/> Fan rotation.</p> <p>19. <input type="checkbox"/> <input type="checkbox"/> <input type="checkbox"/> Air capacity.</p> <p>20. <input type="checkbox"/> <input type="checkbox"/> <input type="checkbox"/> Vibration.</p> <p>21. <input type="checkbox"/> <input type="checkbox"/> <input type="checkbox"/> All safety devices installed and secure.</p> <p>22. <input type="checkbox"/> <input type="checkbox"/> <input type="checkbox"/> Thermal overloads set properly.</p> |
|--|--|

*NOTE: When suspending the unit, United Metal Products recommends using 1/2" diameter steel all-thread secured at both the top and bottom of the Universal Mounting Brackets provided. The Modular Air Handler must be suspended at all (4) corners of the fully assembled unit. It must also be suspended at all (4) corners of each fan module and all (4) corners of each coil module. With these drop rods in place, we recommend that additional drop rods are added (if required) so there is a maximum distance of 30" between the drop rods along the length of the unit.

COMMISSIONING RECORD

SUPPLY FAN	AMPS	VOLTS
A. L1 _____ L2 _____ L3 _____		L1-L2 _____ L1-L3 _____ L3-L2 _____
B. L1 _____ L2 _____ L3 _____		L1-L2 _____ L1-L3 _____ L3-L2 _____
Final Overload Setting: _____		
Motor Nameplate Information: _____	Model# _____	Volts _____ Amps _____ HP _____
RETURN FAN	AMPS	VOLTS
A. L1 _____ L2 _____ L3 _____		L1-L2 _____ L1-L3 _____ L3-L2 _____
B. L1 _____ L2 _____ L3 _____		L1-L2 _____ L1-L3 _____ L3-L2 _____
Final Overload Setting: _____		
Motor Nameplate Information: _____	Model# _____	Volts _____ Amps _____ HP _____

Verify all Amp and Volt readings meet nameplate data.

Installer's Acceptance Signature: x _____ Date _____

NOTES: _____



TROUBLESHOOTING GUIDE

SYMPTOM	POSSIBLE CAUSES	CORRECTIVE ACTION
EXCESSIVE MECHANICAL NOISE AND/OR VIBRATION	<ol style="list-style-type: none"> 1. Defective motor bearing. 2. Fan wheel loose on shaft. 3. Fan wheel out of balance. 4. Fan wheel rubbing on inlet cone. 5. Worn vibration isolators. 6. Fan rotating at a natural frequency that is not absorbed by the vibration isolators. 	<ol style="list-style-type: none"> 1. Replace. 2. Tighten set screw. 3. Re-balance or replace fan wheel. 4. Re-align fan wheel and cone. 5. Replace vibration isolators. 6. Use VFD to increase or decrease fan RPM to skip over that natural frequency.
FAN DOES NOT ROTATE	<ol style="list-style-type: none"> 1. Blown fuse or open circuit breaker. 2. Electricity turned off. 3. Defective motor. 4. VFD not set up correctly. 5. Defective VFD. 	<ol style="list-style-type: none"> 1. Replace fuse or reset circuit breaker. 2. Contact local power company. 3. Replace. 3. Replace VFD handbook. 5. Replace.
INSUFFICIENT AIR FLOW	<ol style="list-style-type: none"> 1. Duct static pressure too high. 2. Fan RPM too low. 3. Clogged filters. 	<ol style="list-style-type: none"> 1. Check duct system for closed dampers and other blockages. 2. Increase the fan speed with VFD. Do not exceed the maximum safe fan RPM - see MAHU nameplate. 3. Replace.
HIGH PITCHED NOISE HEARD WHEN RUNNING	<ol style="list-style-type: none"> 1. VFD. 	<ol style="list-style-type: none"> 1. Set VFD to skip over that natural frequency.
DAMPER BLADES DO NOT TURN	<ol style="list-style-type: none"> 1. Damper blades are jammed. 2. Defective actuator. 	<ol style="list-style-type: none"> 1. Free up damper blades and/or linkages. 2. Replace.
COIL PAN DOES NOT DRAIN	<ol style="list-style-type: none"> 1. Blocked drain. 2. Incorrectly sized trap. 	<ol style="list-style-type: none"> 1. Unblock drain. 2. Re-size trap.
AIR LEAKAGE	<ol style="list-style-type: none"> 1. Doors not sealing. 2. Module joins are not sealing. 	<ol style="list-style-type: none"> 1. Check and adjust door latches. 2. Check seams. Tighten bolts and/or seal with caulking.

REGULAR MAINTENANCE

- Check fan and inlet cone alignment.
- Check dampers operate smoothly.
- Change filters.
- Re-grease motor bearing as required.
- Check and re-seal exterior cabinet seams as required.
- For units fitted with GFCI, press TEST/RESET buttons to assure proper operation on a monthly basis.



LIMITED WARRANTY

UNITED METAL PRODUCTS, INCORPORATED extends this limited warranty to the original buyer and warrants that products manufactured by United Metal Products shall be free from original defects in workmanship and materials for 12 months from start-up or 18 months from date of shipment (whichever is sooner), provided same have been properly stored, installed, serviced, maintained and operated with bleed-off system properly installed. This warranty shall not apply to products which have been altered or repaired without United Metal Products' express authorization, or altered or repaired in any way so as, in United Metal Products' judgment, to affect its performance or reliability, nor which have been improperly installed or subjected to misuse, negligence, or accident, or incorrectly used in combination with other substances. Warranties on purchased parts, such as electric motors, pumps and pads, are limited to the terms of warranty extended by our supplier (usually one year duration).

LIMITATION OF REMEDY AND DAMAGES: All claims under this warranty must be made in writing and delivered to United Metal Products, Inc., 1920 East Broadway Road, Tempe, Arizona 85282, within 15 days after the date of shipment by United Metal Products of the product claimed defective, and buyer shall be barred from any remedy if buyer fails to make such claim within such period.

Within 30 days after receipt of a timely claim, United Metal Products shall have the option either to inspect the product while in buyer's possession or to request buyer to return the product to United Metal Products at buyer's expense for inspection by United Metal Products. United Metal Products shall replace, or at its option repair, free of charge, any product it determines to be defective, and it shall ship the repaired or replacement product to buyer FOB. point of shipment; provided, however, if circumstances are such as in United Metal Products' judgment to prohibit repair or replacement to remedy the warranted defects, the buyer's sole and exclusive remedy shall be a refund to the buyer of any part of the invoice price, paid to United Metal Products, for the defective product or part.

United Metal Products is not responsible for the cost of removal of the defective product or part, damages due to removal, or any expenses incurred in shipping the product or part to or from United Metal Products plant, or the installation of the repaired or replaced product or part.

Implied warranties, when applicable, shall commence upon the same date as the express warranty provided above, and shall, except for warranties of title, extend only for the duration of the express warranty. Some states do not allow limitations on how long an implied warranty lasts, so the above limitation may not apply to you. The only remedy provided to you under an applicable implied warranty and the express warranty shall be the remedy provided under the express warranty, subject to the terms and conditions contained therein, United Metal Products shall not be liable for incidental and consequential losses and damages under the express warranty, any applicable implied warranty, or claims for negligence, except to the extent that this limitation is found to be unenforceable under applicable state law. Some states do not allow the exclusion or limitation of incidental or consequential damages, so the above limitation or exclusion may not apply to you. This warranty gives you specific legal rights, and you may also have other rights which vary from state to state.

No employee, agent, dealer, or other person is authorized to give any warranties on behalf of United Metal Products or to assume for United Metal Products any other liability in connection with any of its products except in writing and signed by an officer of United Metal Products. Liability shall in no case exceed the unit price of the defect product or part.

TECHNICAL ADVICE AND RECOMMENDATIONS.

DISCLAIMER: Notwithstanding any past practice or dealings or any custom of the trade, sales shall not include the furnishing of technical advice or assistance or system design. Any such assistance shall be at United Metal Products' sole option.

WARNING

Our products are designed and manufactured to provide performance, but they are not guaranteed to be 100% free of defects. Even reliable products will experience occasional failure, and this possibility should be recognized by the user. If these products are used in a life support ventilation system where failure could result in loss or injury, the use should provide adequate back-up ventilation, supplementary natural ventilation or failure alarm system, or acknowledge willingness to accept the risk of such loss or injury.

DO NOT USE IN HAZARDOUS ENVIRONMENTS where fan's electrical system could provide ignition to combustible or flammable materials.

NOTE

If any assistance from the factory is needed to check, test, or start-up any UMP equipment, a prevalent rate per day,

per person plus travel, lodging, food, etc., will be paid by the buyer/contractor.

CAUTION

Guards must be installed when fan is within reach of personnel or within seven (7) feet of working level or when deemed advisable for safety.

DISCLAIMER

United Metal Products, Inc. had made a diligent effort to illustrate and describe the products in this literature accurately; however, such illustrations and descriptions are for the sole purpose of identification, and do not express or imply a warranty that the products are merchantable, or fit for a particular purpose, or that the products will necessarily conform to the illustrations or descriptions or dimension.

All information in this literature is subject to change without notice.