

Side-Wall Power Ventilators & Fresh Air Intakes For Commercial, Industrial and Agricultural Requirements

Features:

- Factory tested and shipped ready to operate, including factory wired components
- ETL listed and labeled in accordance with U.L. standards
- Copper-wound heavy duty ball bearing motors
- Self-aligning, heavy duty, greaseable, pillow block, ball type fan bearing
- Galvanized Steel Construction
- Adjustable motor sheave for air flow adjustment
- The most up-to-date propeller type axial fan affords maximum air delivery while minimizing horsepower
- Interchangeable components with UMP-700 Series evaporative coolers

• SE Series

• Exhaust / Intake

- SE 30
- SE 36
- SE 42
- SE 48

Available Options

- Pre-wired control packages
- Spark resistant fans
- Explosion proof motors
- Self-tensioning belt
- Installation accessories
- Back draft damper
- Safety guards
- Fused and non-fused disconnects

Resources Available for this Product

- Catalog By Mail
- Catalog Online



United Metal Products

1920 E Encanto Drive Tempe, AZ 85281

T 480.968.9550

F 480.968.9555

www.unitedmetal.com

Model #	AIR DELIVERY IN CUBIC FEET PER MINUTE								ELECTRICAL SPECIFICATIONS				FAN UNIT					Dimensions (Inches)				Weights ^②		
	Inches Static Pressure (W.G.)								Fan Motor ^①				Fan		Drives			A	B	C	Wall Opening			
	FREE AIR		0.125		0.25		0.375		HP	Max BHP	Volt/Phase 115/208/230 1 Phase Amps	Volt/Phase 208/230/460 3 Phase Amps	Dia.	Max RPM	Motor Pulley O.D.	Fan Pulley O.D.	Belt				Shaft		A	B
CFM	RPM	CFM	RPM	CFM	RPM	CFM	RPM	A										B						
SE30 Exhaust (E) Intake (I)	9,330	676	8,080	676	3,570	676	--	--	1/2	.57	7.2 / 4.1 / 3.6	2.4 / 2.0 / 1.0	30"	800	3.15	7.95	A40	1"	34.25	34.25	44.25	34.75	34.75	187
	10,650	771	9,610	771	7,710	771	5,150	771	3/4	.86	10.6 / 6.0 / 5.3	3.6 / 3.0 / 1.5	30"	800	3.75	7.95	A40	1"	34.25	34.25	44.25	34.75	34.75	195
	11,720	849	10,800	849	9,490	849	6,960	849	1	1.15	13.0 / 6.3 / 6.5	3.9 / 4.0 / 2.0	30"	800	3.75	6.95	A40	1"	34.25	34.25	44.25	34.75	34.75	197
SE36 Exhaust (E) Intake (I)	12,550	550	10,870	550	7,360	550	--	--	3/4	0.86	10.6 / 6.0 / 5.3	3.0 / 3.4 / 1.7	36"	800	3.75	11.25	A44	1"	40.25	40.25	44.25	40.75	40.75	224
	13,830	610	12,330	610	9,980	610	--	--	1	1.15	13.0 / 6.3 / 6.5	3.6 / 3.8 / 1.9	36"	800	4.15	11.25	A44	1"	40.25	40.25	44.25	40.75	40.75	230
	15,610	680	14,300	680	12,770	680	9,350	680	1 1/2	1.73	18.0 / 9.5 / 9.0	4.5 / 4.2 / 2.1	36"	800	4.75	11.25	A44	1"	40.25	40.25	44.25	40.75	40.75	237
SE42 Exhaust (E) Intake (I)	16,890	470	14,610	470	9,840	470	--	--	1	1.15	13.0 / 6.3 / 6.5	3.6 / 3.8 / 1.9	42"	690	3.15	11.25	A48	1"	46.25	46.25	44.25	46.75	46.75	269
	19,070	530	17,100	530	14,260	530	--	--	1 1/2	1.73	18.0 / 9.5 / 9.0	4.5 / 4.2 / 2.1	42"	690	3.75	11.25	A48	1"	46.25	46.25	44.25	46.75	46.75	275
	20,970	580	19,190	580	17,100	580	12,460	580	2	2.3	24.0 / 12.6 / 12.0	5.9 / 5.6 / 2.8	42"	690	4.15	11.25	A48	1"	46.25	46.25	44.25	46.75	46.75	298
SE48 Exhaust (E) Intake (I)	22,710	430	19,850	430	13,880	430	--	--	1 1/2	1.73	18.0 / 9.5 / 9.0	4.5 / 4.2 / 2.1	48"	630	3.75	14.25	A60	1"	54.25	54.25	44.25	54.75	54.75	348
	25,050	470	22,500	470	18,940	470	--	--	2	2.3	24.0 / 12.6 / 12.0	5.9 / 5.6 / 2.8	48"	630	4.15	14.25	A60	1"	54.25	54.25	44.25	54.75	54.75	355
	28,620	540	26,410	540	23,930	540	18,630	540	3	3.45	32.0 / 16.8 / 16.0	8.7 / 8.0 / 4.0	48"	630	4.75	14.25	A60	1"	54.25	54.25	44.25	54.75	54.75	367

* Performance ratings shown does not include drive losses or system effect. Consider a minimum of 0.125" pressure on all systems.

* Performance shown is for installation Type A: Free Inlet, Free Outlet.

* Power rating (BHP) does not include drive losses.

① Only motors 1hp or less are provided with integral thermal protection. Motors 1.5 hp or greater require a separate motor overload device. Amperage ratings shown is nameplate data. Consult factory for overload and control options.

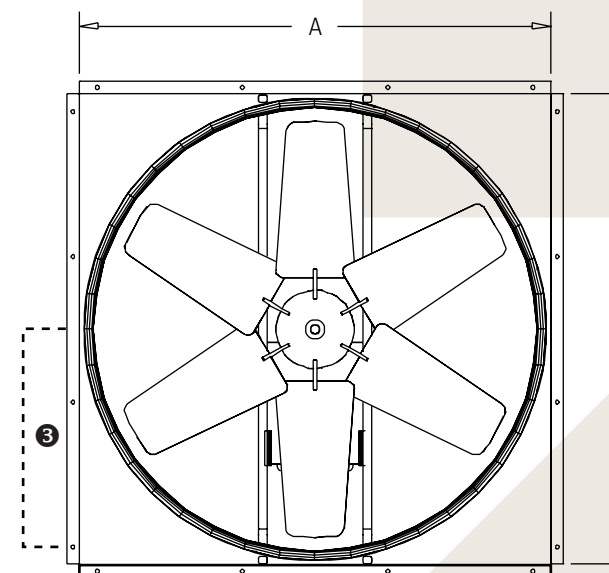
② Weights are in pounds and include motors, belts, and drives. Weights exclude optional accessories such as curb, damper and controls.

③ Electrical accessory if applicable. See job specific submittals data for details.

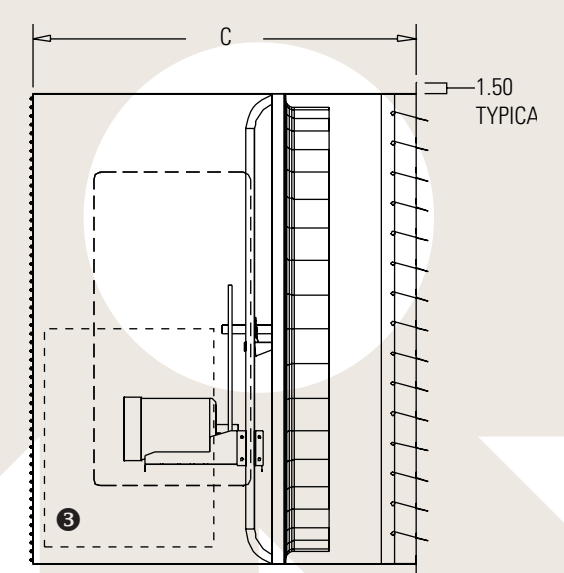
CAUTION: Do not use in hazardous environments where the fan's electrical system could provide ignition to combustible or flammable materials, unless unit is specifically built for hazardous environments.

WARNING: Guards must be installed when fan is within reach of personnel or within seven (7) feet of working level or when deemed advisable for safety.

End View



Side View



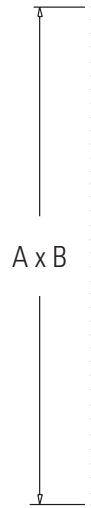


SE Optional Accessories

Description	Part #	A	B	Weight in Lbs.
SE30 Safety Grill	70666	33.00"	33.00"	9
SE36 Safety Grill	52115	40.00"	40.00"	11
SE42 Safety Grill	52116	46.00"	46.00"	14
SE48 Safety Grill	52117	51.00"	51.00"	18
SE30 Discharge Damper	73473	34.00"	34.00"	23
SE36 Discharge Damper	66039	40.00"	40.00"	27
SE42 Discharge Damper	66040	46.00"	46.00"	29
SE48 Discharge Damper	66041	54.00"	54.00"	37

Many configurations of components are available. For simplicity we have listed the most common uses. Always consult the factory if project requires applications other than listed here.

SAFETY GRILL



OUTLET DAMPER

