

Low Profile, Commercial / Industrial Evaporative Cooling 7,500 to 8,500 CFM Industry Standard Rating

Features

- "Low profile" (only 32.25" high)
- External static pressure range of 0.0" to 1.2" W.G.
- Factory tested and shipped ready to operate, including factory wired components
- ETL Listed and labeled in accordance with U.L. standards
- Copper-wound, heavy duty ball bearing motors
- One high capacity pump provides complete media saturation
- Self-aligning, heavy duty, greaseable, pillow block, ball type fan bearings
- Fan performance is factory set to job specific specifications
- Premium 8" or 12" thick cross fluted media for 80% to 90% evaporative efficiency
- Lifting sky hooks
- Heavy gauge, hot dipped galvanized steel construction
- Epoxy powder base paint finish baked on at 375°
- Rugged cabinet assembly with double thick steel corners
- "Rain-Tight" pitched top construction (1/4"/12")
- Easily accessible external distributor clean-outs
- Side access media removal
- Adjustable motor sheave for air flow adjustment
- Epoxy Painted G-90 Galvanized Steel reservoir

• 800 Series - "Low Profile"

• UMP-824

- Up Discharge
- Side Discharge
- Down Discharge

Available Options

- Class II, U.L. 900 media
- Prewired control packages
- Distribution flush system
- Freeze protection
- Hinged access door
- 2" Pre-filters
- Installation accessories
- Fused and non-fused disconnects

Resources Available for This Product

- Catalog By Mail
- Catalog Online



Patent #4774030 or other patents pending

United Metal Products

1920 E Encanto Drive Tempe, AZ 85281

T 480.968.9550

F 480.968.9555

www.unitedmetal.com

Manufacturer of Quality Air Moving Equipment



Information subject to change. Updates available online.

FanAir/UMP-824/PO/April 2011

Model	Industry Standard Rating	Media Depth	Eff'y @ 500 FPM	HP	AIR DELIVERY IN CUBIC FEET PER MINUTE																					
					Inches Static Pressure (W.G.) ❶																					
					0		0.1		0.2		0.3		0.4		0.5		0.6		0.7		0.8		0.9		1.0	
CFM	RPM	CFM	RPM	CFM	RPM	CFM	RPM	CFM	RPM	CFM	RPM	CFM	RPM	CFM	RPM	CFM	RPM	CFM	RPM	CFM	RPM	CFM	RPM	CFM	RPM	
UMP-824 Up (U) Side (S) Down (D)	7,500	8"	80%	3/4	4,950	383	4,740	399	4,530	419	4,300	439	4,030	463	3,800	483	3,560	507	--	--	--	--	--	--	--	--
		12"	90%	3/4	4,840	391	4,530	419	4,320	436	4,110	454	4,890	477	3,680	495	3,420	518	--	--	--	--	--	--	--	--
	8,500	8"	80%	1	5,200	434	5,200	438	5,050	454	4,870	469	4,580	495	4,400	511	4,180	533	3,980	552	3,750	573	--	--	--	--
		12"	90%	1	5,200	431	5,000	459	4,840	472	4,670	488	4,360	514	4,190	530	4,000	549	3,800	568	--	--	--	--	--	--
	8,500	8"	80%	1 1/2	--	--	--	--	5,200	469	5,200	500	5,200	529	5,200	556	5,090	582	4,930	596	4,780	610	4,600	626	4,360	650
		12"	90%	1 1/2	--	--	--	--	5,200	494	5,200	523	5,200	551	5,200	577	4,900	600	4,750	612	4,600	626	4,460	640	--	--
	8,500	8"	80%	2	--	--	--	--	--	--	--	--	--	--	--	--	5,200	584	5,200	609	5,200	634	5,200	658	5,150	681
		12"	90%	2	--	--	--	--	--	--	--	--	--	--	--	--	5,200	604	5,200	618	5,200	653	5,200	677	4,980	698

Model	ELECTRICAL SPECIFICATIONS						BLOWER UNIT		Evaporative Media	Weights (Lbs) ❸	
	Fan Motor ❷				Pump ❹		Dia.	Type		Shipping	Operate
	HP	Max BHP	Volt/Phase 115/208/230 1-Phase Amps	Volt/Phase 208/230/460 3-Phase Amps	GPH @ 5' Head	Volt/Phase 115/ 1-Phase Amps					
UMP-824 Up (U) Side (S) Down (D)	3/4	0.86	13.8/7.6/6.9	3.5/3.2/1.6	380	1.2	18" x 18"	DWDI-FC	5 - 8" x 12" x 24"	397	522
	3/4	0.86	13.8/7.6/6.9	3.5/3.2/1.6	450	1.7	18" x 18"	DWDI-FC	5 - 8" x 12" x 24"	416	553
	1	1.15	16.0/8.8/8.0	4.6/4.2/2.1	380	1.2	18" x 18"	DWDI-FC	5 - 8" x 12" x 24"	401	526
	1	1.15	16.0/8.8/8.0	4.6/4.2/2.1	450	1.7	18" x 18"	DWDI-FC	5 - 8" x 12" x 24"	420	557
	1 1/2	1.73	20.0/11.0/10.0	6.6/6.0/3.0	380	1.2	18" x 18"	DWDI-FC	5 - 8" x 12" x 24"	414	539
	1 1/2	1.73	20.0/11.0/10.0	6.6/6.0/3.0	450	1.7	18" x 18"	DWDI-FC	5 - 8" x 12" x 24"	433	570
	2	2.3	24.0/13.2/12.0	7.5/6.8/3.4	380	1.2	18" x 18"	DWDI-FC	5 - 8" x 12" x 24"	445	570
	2	2.3	24.0/13.2/12.0	7.5/6.8/3.4	450	1.7	18" x 18"	DWDI-FC	5 - 8" x 12" x 24"	464	601

* Performance rating is at max BHP and includes the effects of the evaporative media, inlet louver, motor and drives in the airstream.
 * Fan performance shown is based on tests made in accordance with AMCA 210-85, installation Type B; free inlet, ducted outlet.
 * Power rating (BHP) does not include drive losses

❶ UMP-800 series, blower type evaporative coolers are designed for ducted applications with external static pressure ranges of 0.0" through 1.2".
 For straight down ducted low static applications with external static pressure ranges of 0.0" to 0.2" a UMP-700 series propeller type axial fan model may be recommended.

❷ Only motors 1 HP or less are provided with integral thermal protection. Motors 1.5 HP or greater require a separate motor overload device. Amperage ratings shown are NEC at nominal HP. Usable at 208v. Consult factory for overload and control options.

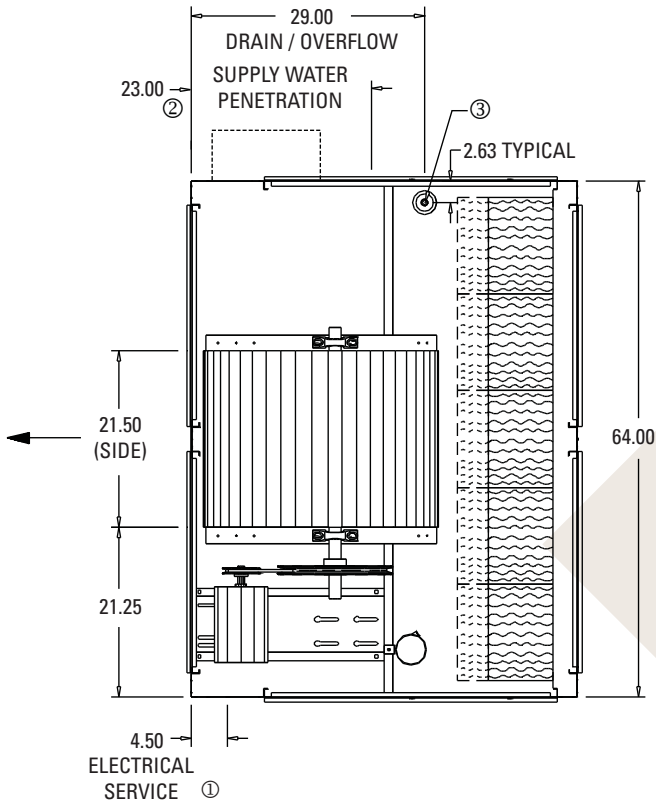
❸ Weights are in pounds and include motors, pumps and drives. Operating weights include saturated media and assumes 2.5" depth of water in sump. Weights exclude optional accessories such as curb, diffuser and controls.

❹ 230v pumps are available; contact UMP for details.

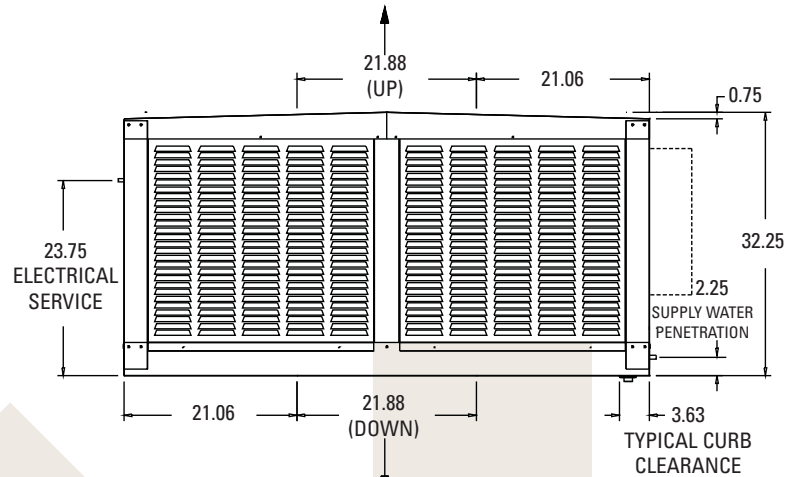


UMP-824

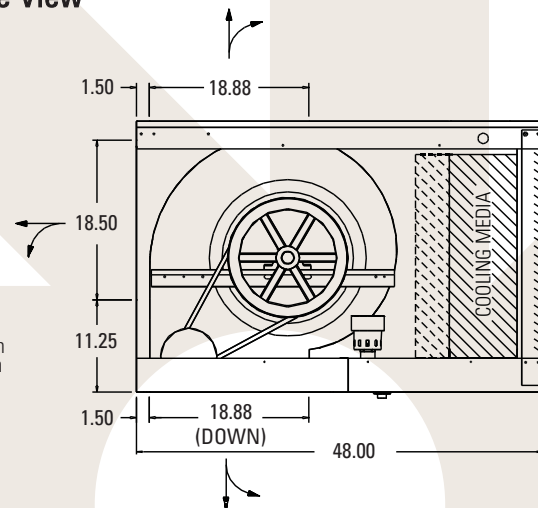
Top View



End View



Side View



- ① 7/8" Electrical service entrance for 1/2" conduit.
(NOTE: When the unit is supplied with an Integral Single Point Power Connection / Control Panel the electrical service entrance will be on the opposite side of the unit than shown here. Also, the supply water penetration will be on the opposite side than shown here (opposite the electrical panel).
- ② 3/8" Compression fitting connection made inside unit. Minimum 15 p.s.i. water pressure is recommended to deliver the volume needed to meet high summer evaporation and bleed requirements. Do not exceed 125 p.s.i.
- ③ 3/4" Male hose thread.

