

Low Profile, Commercial / Industrial Evaporative Cooling 16,500 to 24,500 CFM Industry Standard Rating

Features

- "Low profile" (only 47.25" high)
- External static pressure range of 0.0" to 1.2" W.G.
- Factory tested and shipped ready to operate, including factory wired components
- ETL Listed and labeled in accordance with U.L. standards
- Copper-wound, heavy duty ball bearing motors
- One high capacity pumps provide complete media saturation with 8" deep media. Two pumps are used with 12" deep media.
- Self-aligning, heavy duty, greaseable, pillow block, ball type fan bearings
- Fan performance is factory set to job specific specifications
- Premium 8" or 12" thick cross fluted media for 80% to 90% evaporative efficiency
- Lifting sky hooks
- Heavy gauge, hot dipped galvanized steel construction
- Epoxy powder base paint finish baked on at 375°
- Rugged cabinet assembly with double thick steel corners
- "Rain-Tight" pitched top construction (1/4"/12")
- Easily accessible external distributor clean-outs
- Side access media removal
- Adjustable motor sheave for air flow adjustment
- Epoxy Painted G-90 Galvanized Steel reservoir

• 900 Series - "Low Profile"

• UMP-939

- Up Discharge
- Side Discharge
- Down Discharge

Available Options

- Class II, U.L. 900 media
- Prewired control packages
- Distribution flush system
- Freeze protection
- Hinged access door
- 2" Pre-filters
- Installation accessories
- Fused and non-fused disconnects

Resources Available for This Product

- Catalog By Mail
- Catalog Online



Patent #4774030 or other patents pending

United Metal Products

1920 E Encanto Drive Tempe, AZ 85281

T 480.968.9550

F 480.968.9555

www.unitedmetal.com



Model	Industry Standard Rating	Media Depth	Eff'y @ 500 FPM	HP	AIR DELIVERY IN CUBIC FEET PER MINUTE																							
					Inches Static Pressure (W.G.) ❶																							
					0		0.1		0.2		0.3		0.4		0.5		0.6		0.7		0.8		0.9		1.0		1.1	
CFM	RPM	CFM	RPM	CFM	RPM	CFM	RPM	CFM	RPM	CFM	RPM	CFM	RPM	CFM	RPM	CFM	RPM	CFM	RPM	CFM	RPM	CFM	RPM	CFM	RPM			
UMP-939 Up (U) Side (S) Down (D)	16,500	8"	80%	2	13,320	260	12,720	276	12,250	286	11,610	301	11,120	312	10,570	324	9,910	341	9,300	354	--	--	--	--	--	--		
		12"	90%	2	13,000	268	12,320	283	11,960	292	11,340	306	10,820	318	10,340	329	9,630	346	9,000	361	--	--	--	--	--	--		
	18,500	8"	80%	3	15,170	300	14,760	309	14,210	322	13,810	331	13,270	344	12,830	354	12,250	367	11,870	376	11,400	388	10,650	405	--	--		
		12"	90%	3	14,800	309	14,400	317	13,870	330	13,490	339	12,960	351	12,570	360	11,970	374	11,650	382	11,080	395	10,360	412	--	--		
	22,500	8"	80%	5	18,060	354	17,570	365	17,230	373	16,750	384	16,470	390	16,020	401	15,740	407	15,300	418	14,940	426	14,470	437	14,140	445	13,620	457
		12"	90%	5	17,600	364	17,140	375	16,840	382	16,370	393	16,150	398	15,700	409	15,400	415	14,940	426	14,690	432	14,170	444	13,850	452	13,270	465
	24,500	8"	80%	7 1/2	19,400	383	19,400	399	19,400	414	19,400	428	19,180	440	18,950	445	18,540	454	18,290	460	17,920	469	17,490	479	17,240	485	16,790	495
		12"	90%	7 1/2	19,400	399	19,400	414	19,400	428	19,180	440	18,770	449	18,580	454	18,160	463	17,950	468	17,530	478	17,150	487	16,870	493	16,440	503

Model	ELECTRICAL SPECIFICATIONS						BLOWER UNIT		Evaporative Media	Weights (Lbs) ❸	
	Fan Motor ❷				Pump ❹		Dia.	Type	Qty.-Depth x Width x Height	Shipping	Operate
	HP	Max BHP	Volt/Phase 115/208/230 1-Phase Amps	Volt/Phase 208/230/460 3-Phase Amps	GPH @ 5' Head	Volt/Phase 115/1-Phase Amps					
UMP-939 Up (U) Side (S) Down (D)	2	2.3	24.0/13.2/12.0	7.5/6.8/3.4	820	2.3	25" x 25"	DWDI-FC	10 - 8" x 12" x 39"	979	1,385
	2	2.3	24.0/13.2/12.0	7.5/6.8/3.4	1,640	4.6	25" x 25"	DWDI-FC	10 - 12" x 12" x 39"	1,023	1,468
	3	3.45	-- /18.7/17.0	10.6/9.6/4.8	820	2.3	25" x 25"	DWDI-FC	10 - 8" x 12" x 39"	990	1,396
	3	3.45	-- /18.7/17.0	10.6/9.6/4.8	1,640	4.6	25" x 25"	DWDI-FC	10 - 12" x 12" x 39"	1,034	1,479
	5	5.75	--	16.7/15.2/7.6	820	2.3	25" x 25"	DWDI-FC	10 - 8" x 12" x 39"	1,031	1,437
	5	5.75	--	16.7/15.2/7.6	1,640	4.6	25" x 25"	DWDI-FC	10 - 12" x 12" x 39"	1,075	1,520
	7 1/2	8.63	--	24.2/22.0/11.0	820	2.3	25" x 25"	DWDI-FC	10 - 8" x 12" x 39"	1,032	1,438
	7 1/2	8.63	--	24.2/22.0/11.0	1,640	4.6	25" x 25"	DWDI-FC	10 - 12" x 12" x 39"	1,076	1,521

* Performance rating is at max BHP and includes the effects of the evaporative media, inlet louver, motor and drives in the airstream.
 * Fan performance shown is based on tests made in accordance with AMCA 210-85, installation Type B; free inlet, ducted outlet.
 * Power rating (BHP) does not include drive losses

❶ UMP-900 series, blower type evaporative coolers are designed for ducted applications with external static pressure ranges of 0.0" through 1.2". For straight down ducted low static applications with external static pressure ranges of 0.0" to 0.2" a UMP-700 series propeller type axial fan model may be recommended.

❷ Only motors 1 HP or less are provided with integral thermal protection. Motors 1.5 HP or greater require a separate motor overload device. Amperage ratings shown are NEC at nominal HP. Usable at 208v. Consult factory for overload and control options.

❸ Weights are in pounds and include motors, pumps and drives. Operating weights include saturated media and assumes 2.5" depth of water in sump. Weights exclude optional accessories such as curb, diffuser and controls.

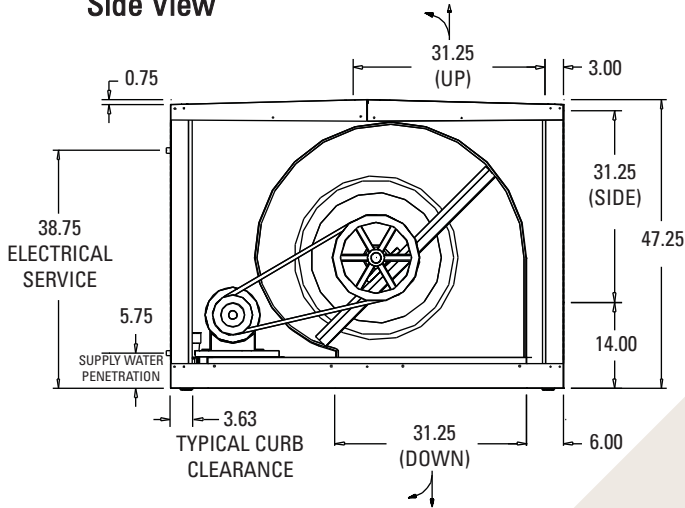
❹ 230v pumps are available; contact UMP for details.



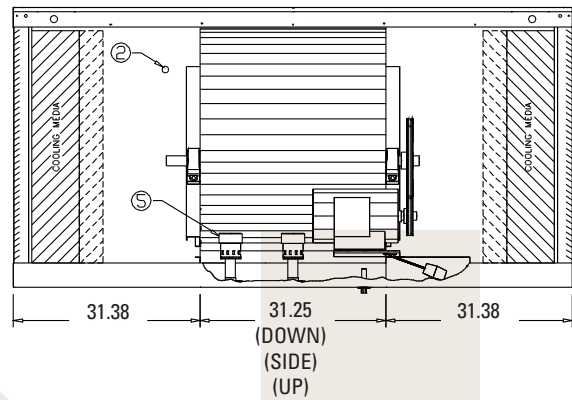


UMP-939

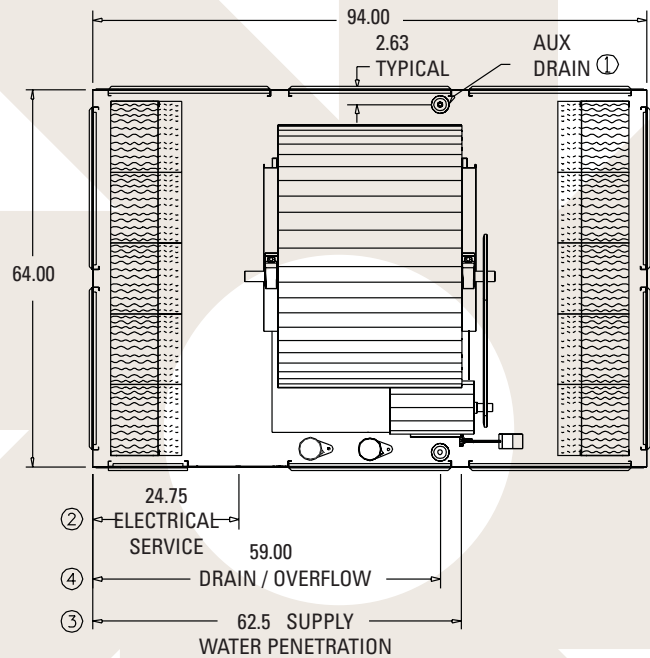
Side View



End View



Top View



- ① Auxiliary drain utilized only with optional freeze protection or distribution flush system. Consult factory for special applications.
- ② 7/8" Electrical service entrance for 1/2" conduit.
- ③ 3/8" Compression fitting connection made inside unit. Minimum 40 p.s.i. water pressure is recommended to deliver the volume needed to meet high summer evaporation and bleed requirements. Do not exceed 125 p.s.i.
- ④ 3/4" Male hose thread.
- ⑤ (1) pump is used with 8" deep media. (2) pumps are used with 12" deep media.

